

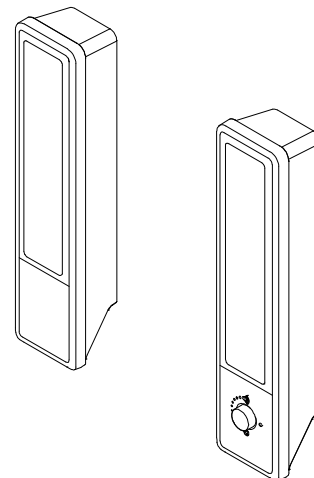
Specifications

20 W audio system for SMART Board™ interactive whiteboard systems

Model SBA-V

Physical specifications

Size	
Right speaker	3 15/16" W × 17 11/16" H × 3 15/16" D (10 cm × 45 cm × 10 cm)
Left speaker	3 15/16" W × 17 11/16" H × 3 9/16" D (10 cm × 45 cm × 9 cm)
Weight	
Both speakers	8 lb. (3.8 kg)
With brackets	10 lb. 2 oz. (4.6 kg)
Shipping size	
	21" W × 8" H × 11" D (53.3 cm × 20.3 cm × 27.9 cm)
Shipping weight	14 lb. 13 oz. (5.8 kg)



All dimensions +/- 1/32" (1 mm).

All weights +/- 1/2 lb. (225 g).

Standard features

Mounting brackets	Enable you to wall-mount the speakers or attach them directly to a SMART Board™ interactive whiteboard
Color	Dark gray (approximates Pantone® Charcoal Gray 18-0601 TPX)

SPECIFICATIONS

20 W audio system for SMART Board interactive whiteboards – Model SBA-V

Control	The combination power button and volume dial located on the front of the right (active) speaker enables you to turn the speakers on or off and adjust the volume.
Automatic activation	When turned on, the speakers immediately activate when they receive an audio signal.
Standby mode	The speakers enter Standby mode when they don't receive an audio signal for an extended period of time to reduce power consumption.
LED status light	The LED status light is green when the speaker is activated, amber when the speaker is in Standby mode and off when the speaker is off.
Audio input cables	A 14' 9" (4.5 m) 3.5 mm mini phone plug to dual RCA cable to connect your system's projector to the right speaker A 9' 10" (3 m), 16 AWG wire speaker cable with two polarized Molex® connectors to connect the right speaker to the left speaker
Audio output	The audio system provides a comfortable listening volume in rooms up to 1,000 square feet (90 square meters) in size
Output power	20 W RMS, both channels driven simultaneously at less than 1% total harmonic distortion
Amplifier	Class D
Frequency range	100 Hz–20,000 Hz
Impedance	6 Ω
Maximum output	90 dB SPL or greater
Drivers per channel	Two 3" woofers and one 1" tweeter
Power supply	
Size	4 1/8" × 1 5/16" × 1 1/4" (10.5 cm × 4.5 cm × 3.3 cm)
Power cable	A 14' 9" (4.5 m) country-specific power cable
Input	Switching-mode power supply (100V to 240V AC, 50 Hz to 60 Hz, 1.5A)
Output	18V DC, 3A
Power consumption in Standby mode	2 W or less
Environmental compliance	CPSIA, EU RoHS, China EIP, EU WEEE
Regulatory certification	UL, CUL, CB, FCC Class A, C-Tick, CE

SPECIFICATIONS

20 W audio system for SMART Board interactive whiteboards – Model SBA-V

Warranty One-year limited equipment warranty

Environmental specifications

Storage temperatures -40°F to 122°F (-40°C to 50°C) with up to 95% humidity, non-condensing

Operating temperatures 41°F to 95°F (5°C to 35°C) with up to 80% humidity, non-condensing

▲ CAUTION

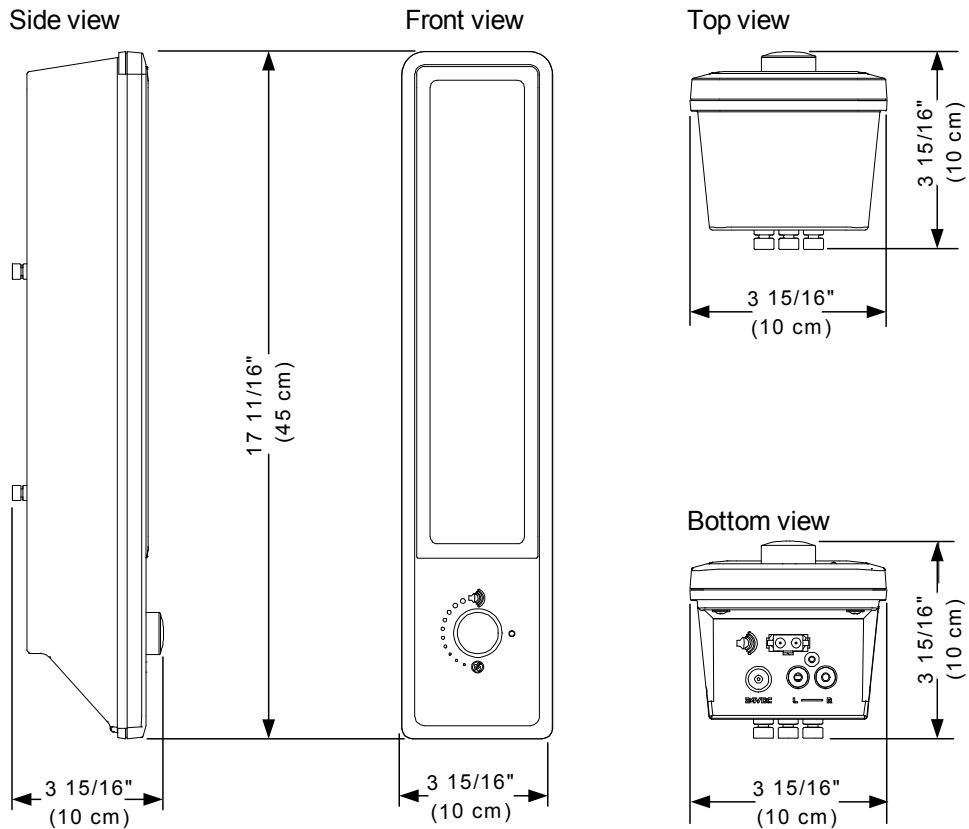
Ensure that the speakers are within the operating temperature range before you use them.

SMART order numbers

SBA-V 20 W audio system for SMART Board interactive whiteboard systems

Physical dimensions

Right (active) speaker



SPECIFICATIONS

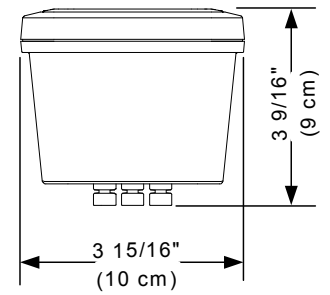
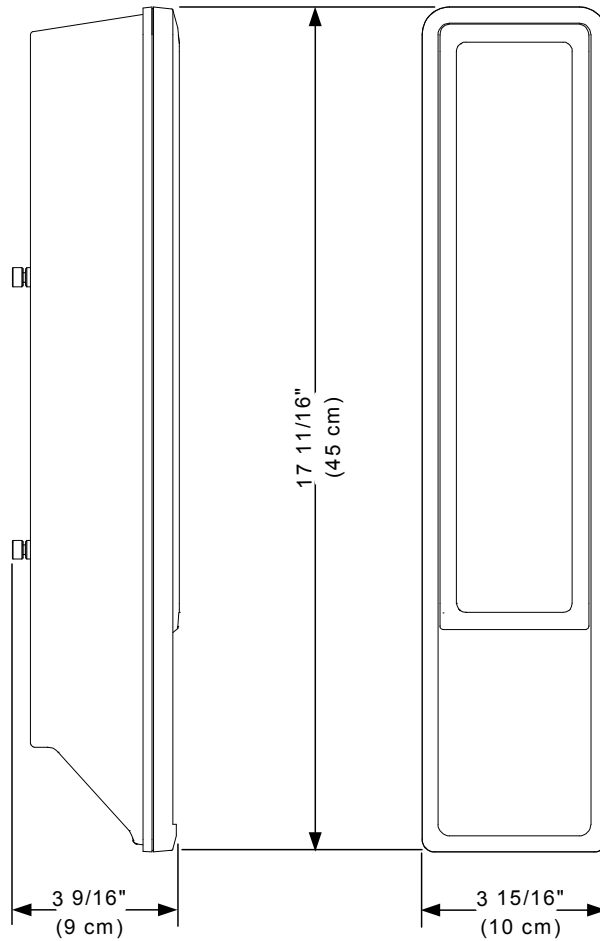
20 W audio system for SMART Board interactive whiteboards – Model SBA-V

**Left (passive)
speaker**

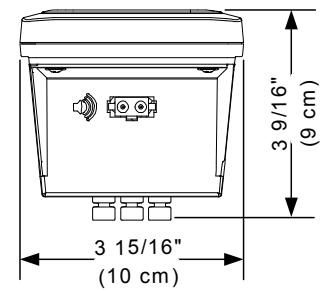
Side view

Front view

Top view



Bottom view



www.smarttech.com/support | www.smarttech.com/contactsupport
Support +1.403.228.5940 or Toll Free 1.866.518.6791 (U.S./Canada)

© 2011 SMART Technologies ULC. All rights reserved. SMART Board, smarttech, the SMART logo and all SMART taglines are trademarks or registered trademarks of SMART Technologies ULC in the U.S. and/or other countries. All third-party product and company names may be trademarks of their respective owners. Patents pending. Contents are subject to change without notice. 03/2011.