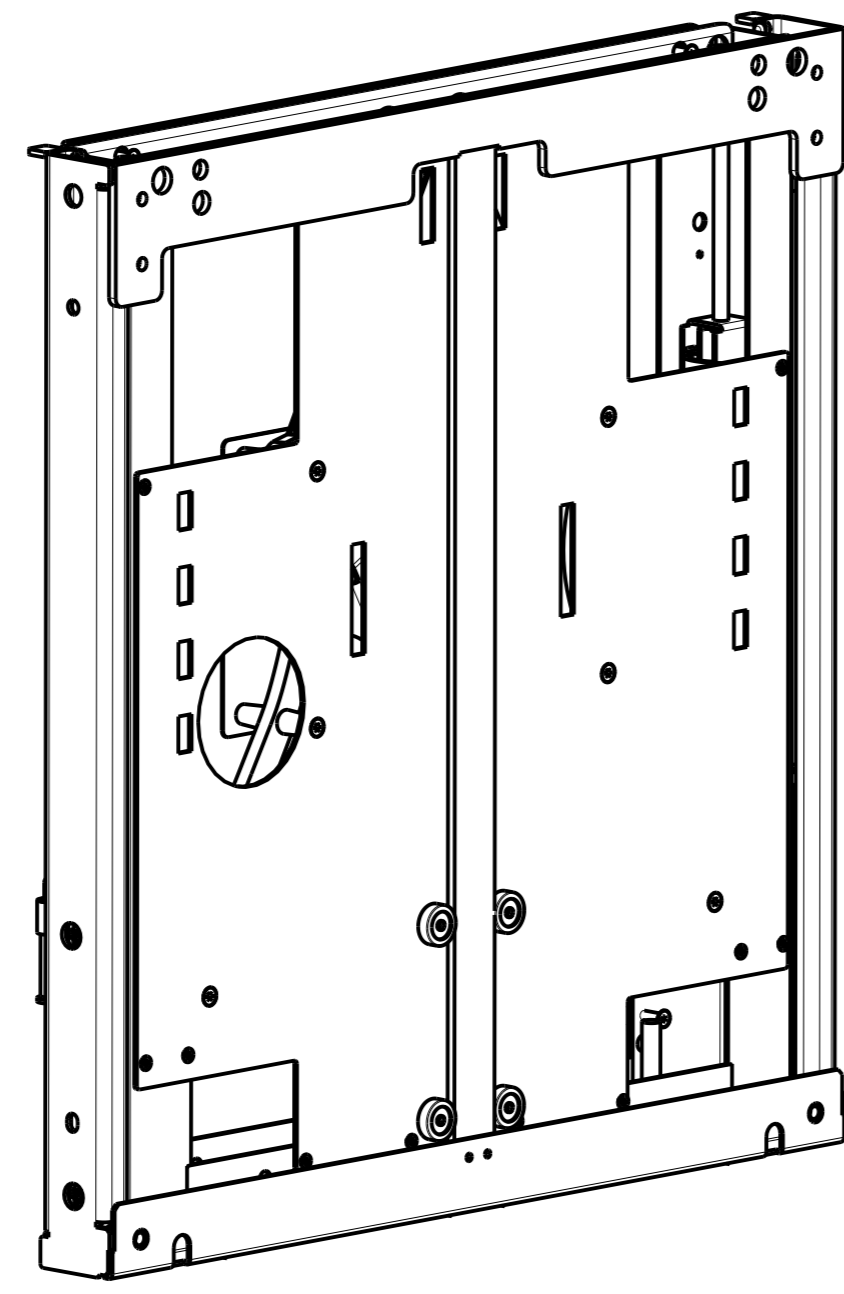
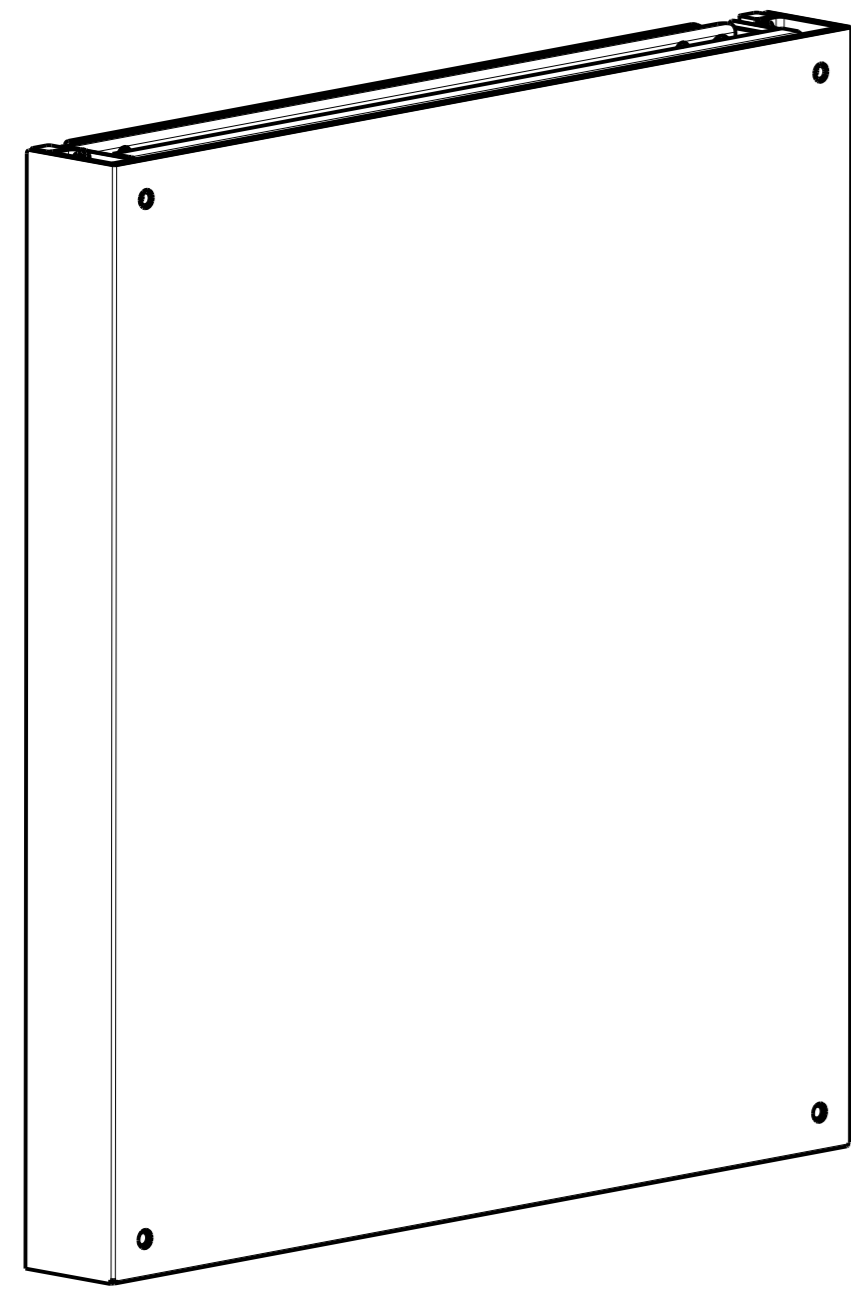


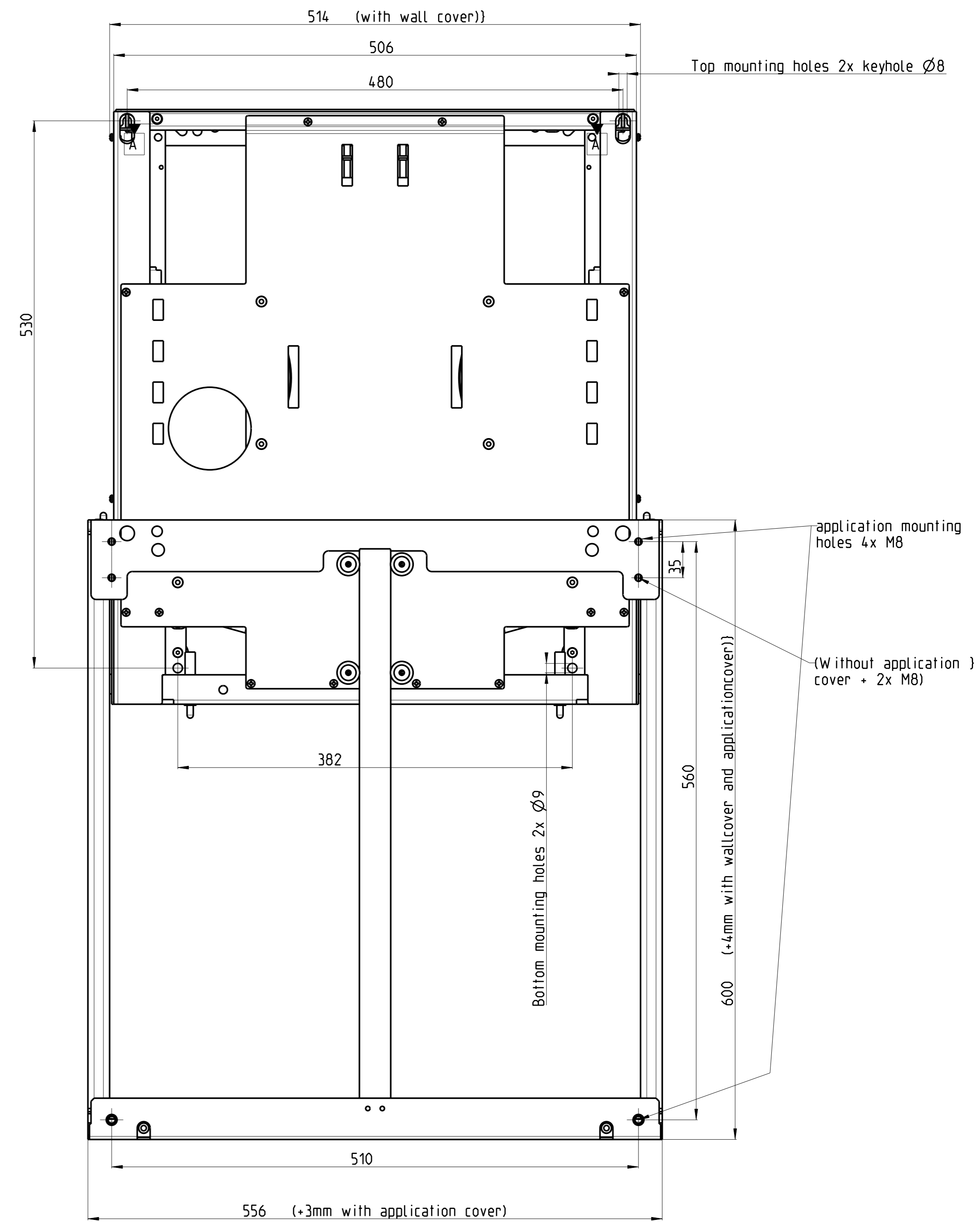
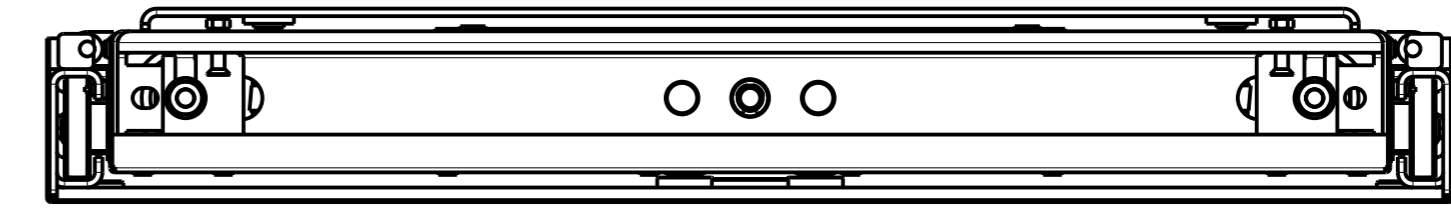
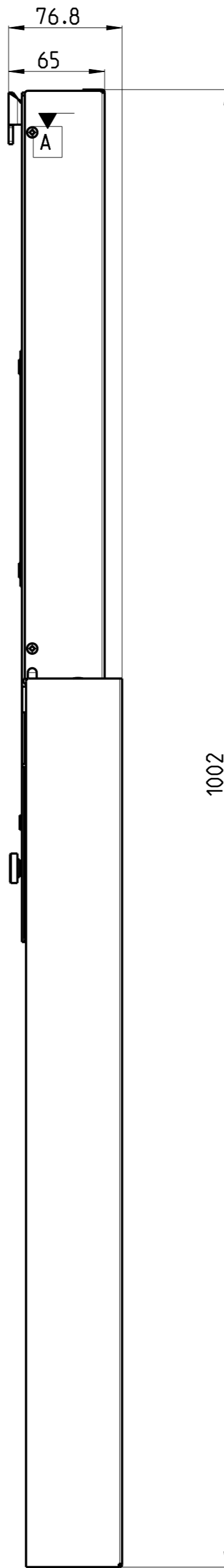
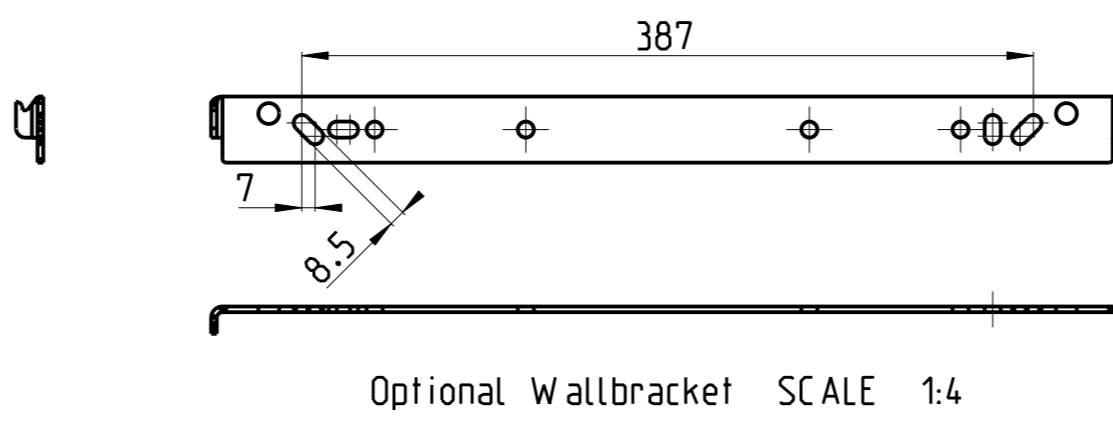
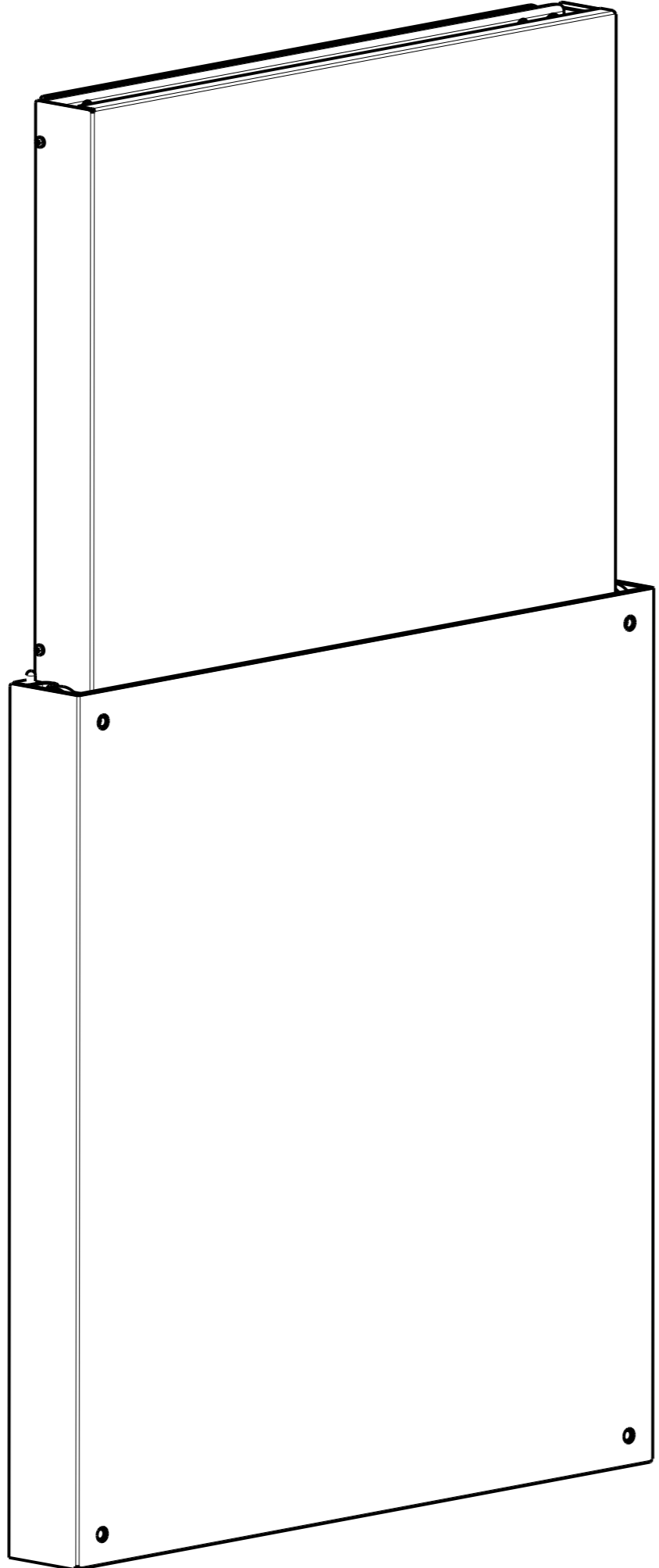
SCALE 1:4 (with Wallcover))



SCALE 1:4 without covers



SCALE 1:4 (with wallcover and application cover))



SCALE 1:3

PRO/ENGINEER Drawing	Dimensions between marks are guide dimensions. Tolerances unless otherwise stated ±0.5mm.		Thomas Regout Int. B.V. reserves the right to alter non-customer specific specifications without notice.
Was: - -			
American projection	DIMENSION	mm	MAT.: -
	SCALE	1:4	REM.: -
	DATE	01-07-2009	-
	DESIGNER	B. de Boer	-
CHECKED	-	-	-
BBX - Main Assembly (Balance Box Basic)			
THOMAS REGOUT INTERNATIONAL BV		Drw. Nr.	Format.
© Thomas Regout International BV All rights are reserved.		480-A01-OVERVIEW - 10	A1
		None	

04	-	-	-	-	05	-	-	-	-	06	-	-	-	-
01	-	-	-	-	02	-	-	-	-	03	-	-	-	-