

Specifications

SMART Board® 8084i-G4 interactive flat panel

Models 8084i-G4-SMP

Overview

The SMART Board® 8084i-G4 interactive flat panel features SMART's proprietary DViT® (Digital Vision Touch) technology on an LCD screen with e-LED backlight which enables you to select, write and erase on the interactive surface. By touching the surface, you can do everything on the interactive flat panel that you can do at your computer, and you can use an array of gestures within applications.

You can also write or draw over any application in digital ink using one of the supplied pens or your finger, and then erase the digital ink using the supplied eraser or your palm. Two users can write or draw at the same time.

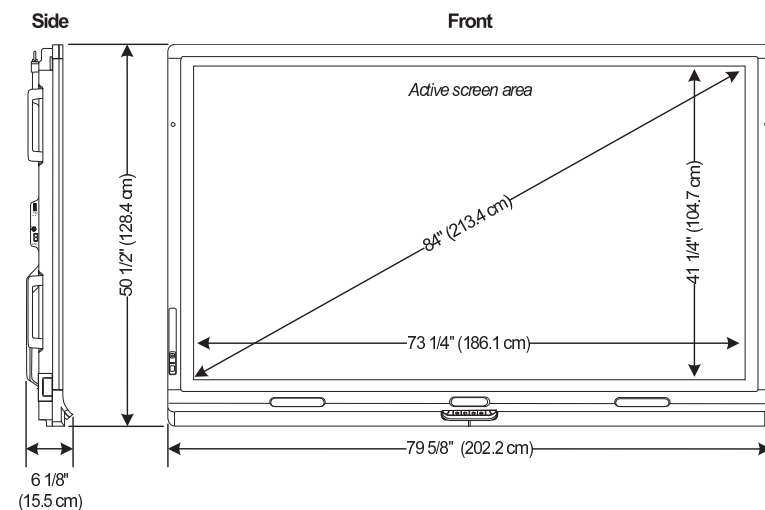
The interactive flat panel has two presence detection sensors on its frame that can detect people up to 16' (5 m) away. When the sensors detect people in the room, the interactive flat panel turns on. When the sensors no longer detect people in the room, the interactive flat panel turns off.

See smarttech.com for more information on this product.



Dimensions and weights*

Dimensions



Weight

260 lb. (118.3 kg)

Shipping dimensions (including pallet)

86 5/8" W × 60" H × 15 3/8" D
(220 cm × 152.5 cm × 39 cm)

Shipping weight

319 lb. (145 kg)

*All dimensions ± 1/8" (0.3 cm). All weights ± 2 lb. (0.9 kg).

SPECIFICATIONS

SMART Board 8084i-G4 interactive flat panel – Models 8084i-G4-SMP

Hardware

Display

Aspect ratio 16 × 9

Optimal resolution 3840 × 2160 at 30 Hz

Horizontal frequency 244–280 kHz (analog and digital)

Vertical frequency 24–120 Hz

Contrast ratio (typical) 1600:1

Brightness (typical) 250–300 cd/m²

Pixel pitch 0.48 mm

Audio

Two 10 W integrated front firing speakers

Noise level

35 dBA

Included cables and hardware

8' (2.4 m) country-specific power cable	I/O extension module for external PCs
4' 3" (1.3 m) USB cable	(SBID-G4-XTM)
16' 5" (5 m) USB extender	CAT 5 USB extender
20' 8" (6.3 m) HDMI cable	SMART GoWire™ auto-launch cable with
Infrared remote control (batteries included)	SMART Meeting Pro™ PE (Personal Edition)
Pens and eraser	software (see smarttech.com/kb/151506)
Spare nibs for pens	M8 eye bolts

Mounting holes

For a standard VESA® 600 mm × 400 mm mounting plate
18 7/8" (47.9 cm) from the bottom of the interactive flat panel

Connectors

Top panel

19V DC Molex® Micro-Fit 2-pin connector
Stereo 3.5 mm out
USB 3.0 Type-A

Left panel

19V DC Molex Micro-Fit 2-pin connector
Stereo 3.5 mm out
USB 2.0 Type-A

Right panel

19V DC Molex Micro-Fit 2-pin connector
Stereo 3.5 mm out

Back

AC power inlet	VGA in
USB 2.0 Type-A	Component video in (Y, Pb, Pr)
USB 2.0 Type-B (×2)	Composite video in
RS-232 in	Stereo 3.5 mm in
RS-232 out/pass-through	Stereo 3.5 mm out
DisplayPort in	Dual RCA audio in (×2)
HDMI in (×2)	Speaker wire connector, 8 Ω of resistance
DVI-D in	
DVI-D out	

I/O extension module

HDMI in
USB 2.0 Type-B

Installation requirements

Installation	See the <i>SMART Board 8000i-G4 interactive flat panel setup and maintenance guide</i> (smarttech.com/kb/170446)
Computer	See smarttech.com/SMARTMeetingProReleaseNotes

Storage and operating requirements

Power requirements	100V to 240V AC, 50 Hz to 60 Hz
Power consumption at 77°F (25°C)	
Normal Standby mode	120 W
Normal operating	370 W
Maximum operating (Vivid mode)	530 W
Operating temperature	41°F to 95°F (5°C to 35°C)
Storage temperature	23°F to 95°F (-5°C to 35°C)
Humidity	5% to 80% relative humidity, non-condensing

Certification and compliance

Regulatory certification	UL (U.S. and Canada), FCC, IC, C-Tick, NOM, CU, CB, PSE, VCCI, KC, CCC, PSB and BIS
Environmental compliance	
China	EIP
European Union	REACH, RoHS, WEEE, Battery, Packaging and ErP Standby
U.S.	Packaging and Conflict Minerals

Purchasing information

Order number	
SBID 8084i-G4-SMP	SMART Board 8084i-G4 interactive flat panel, including a SMART Meeting Pro software license key and a SMART GoWire cable with SMART Meeting Pro PE software
Optional accessories	See smarttech.com/businessaccessories
Warranty	Two-year limited equipment warranty

smarttech.com/support
smarttech.com/contactsupport

© 2013 SMART Technologies ULC. All rights reserved. SMART Board, DVIT, SMART Meeting Pro, SMART GoWire, smarttech, the SMART logo and all SMART taglines are trademarks or registered trademarks of SMART Technologies ULC in the U.S. and/or other countries. All third-party product and company names may be trademarks of their respective owners. This product and/or use thereof covered by one or more of the following U.S. patents. www.smarttech.com/patents. Contents are subject to change without notice. 06/2013.